

DRAWING NUMBER ISSUE  
**S-B966AS-03A**



TITLE: CHANNEL 1

SHEET 1 OF 4

FILENAME: S-B966AS-03A.SCH

DRAWN: BPV

DATE: 18-07-98

CHECKED:

MATERIAL:

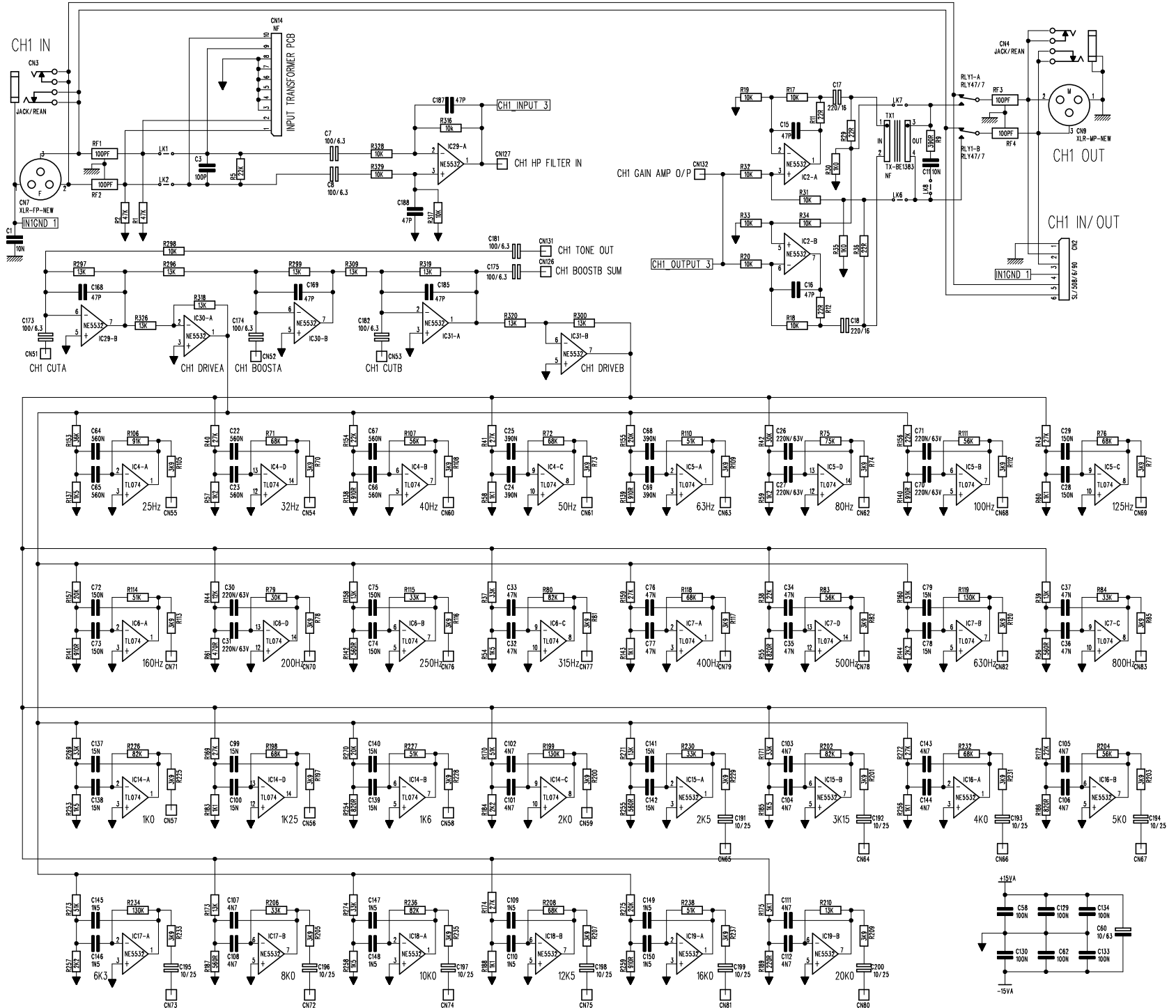
FINISH:

ISSUE COMMENTS:

- P. FIRST PROTOTYPE RELEASE
- 1. PRODUCTION RELEASE
- 2. ECN0081 18-07-98 PRODUCTION MODS
- 3. ECN0107 10-12-98 PRODUCTION MODS
- 3A. ECN0510 20-07-01

DRAWING No WAS 966SA-03.

THIS DRAWING IS THE COPYRIGHT OF BSS Audio Ltd. ALL REPRODUCTION AND COPYING, OTHER THAN THAT FOR LICENCED MANUFACTURERS OWN INTERNAL USE, OR DISCLOSURE OF PART OR WHOLE TO A THIRD PARTY WITHOUT PRIOR WRITTEN AUTHORISATION IS IN VIOLATION OF THE COPYRIGHT. © BSS Audio Ltd 2001



DRAWING NUMBER ISSUE  
**S-B966AS-03A**



TITLE: CHANNEL 2

SHEET 2 OF 4

FILENAME: S-B966AS-03A.SCH

DRAWN: BPV

DATE: 18-07-98

CHECKED:

MATERIAL:

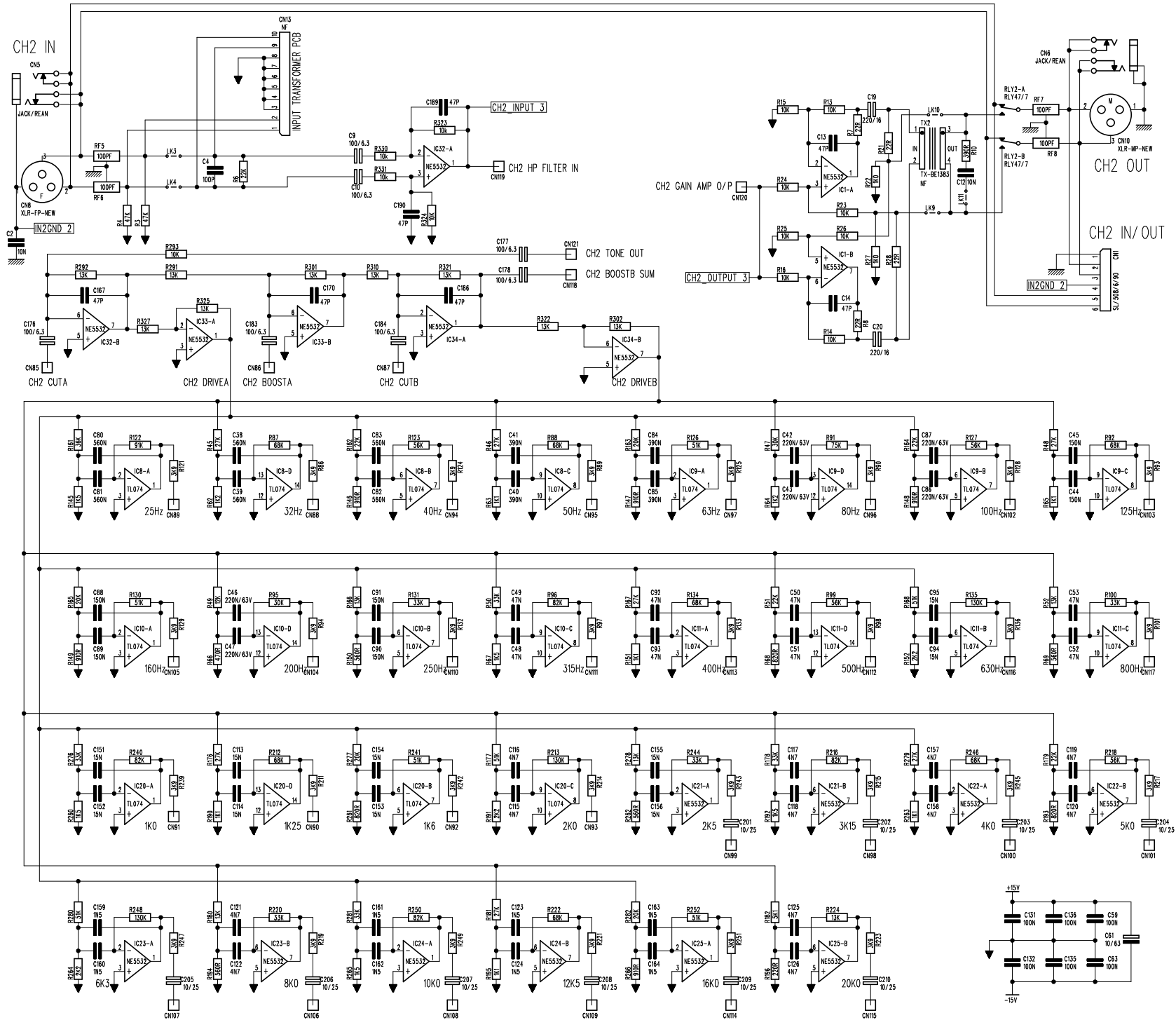
FINISH:

ISSUE COMMENTS:

- P. FIRST PROTOTYPE RELEASE
- 1. PRODUCTION RELEASE
- 2. ECN0081 18-07-98 PRODUCTION MODS
- 3. ECN0107 10-12-98 PRODUCTION MODS
- 3A. ECN0510 20-07-01

DRAWING No WAS 966SA-03.

THIS DRAWING IS THE COPYRIGHT OF BSS Audio Ltd. ALL REPRODUCTION AND COPYING, OTHER THAN THAT FOR LICENCED MANUFACTURERS OWN INTERNAL USE, OR DISCLOSURE OF PART OR WHOLE TO A THIRD PARTY WITHOUT PRIOR WRITTEN AUTHORISATION IS IN VIOLATION OF THE COPYRIGHT.  
 © BSS Audio Ltd 2001



DRAWING NUMBER ISSUE  
**S-B966AS-03A**



TITLE: **PSU & MISC.**

SHEET 3 OF 4

FILENAME: **S-B966AS-03A.SCH**

DRAWN: **BPV**

DATE: **18-07-98**

CHECKED:

MATERIAL:

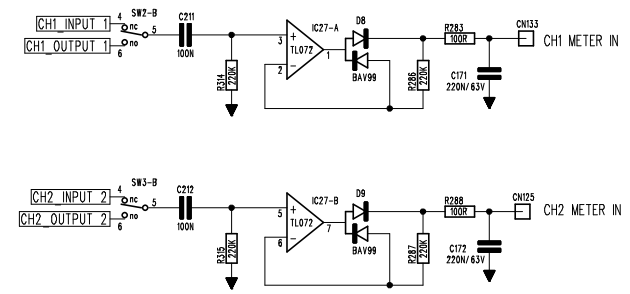
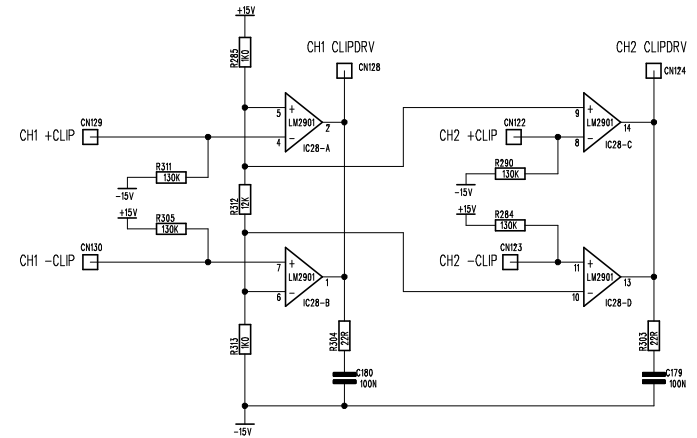
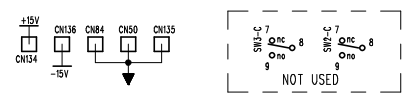
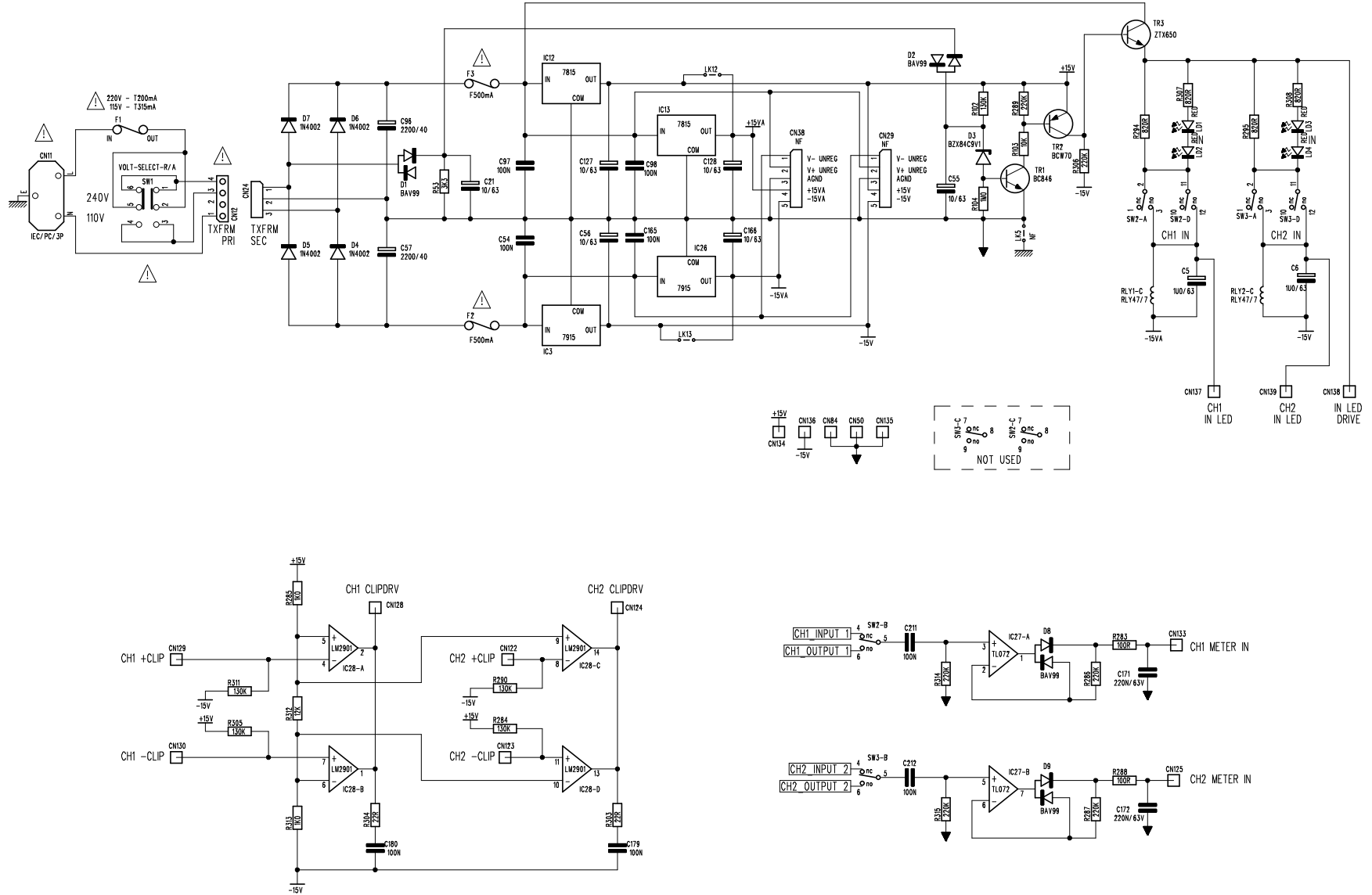
FINISH:

ISSUE COMMENTS:

- P. FIRST PROTOTYPE RELEASE
- 1. PRODUCTION RELEASE
- 2. ECN0081 18-07-98 PRODUCTION MODS
- 3. ECN0107 10-12-98 PRODUCTION MODS
- 3A. ECN0510 20-07-01

DRAWING No **WAS 966SA-03.**

THIS DRAWING IS THE COPYRIGHT OF BSS Audio Ltd. ALL REPRODUCTION AND COPYING, OTHER THAN THAT FOR LICENCED MANUFACTURERS OWN INTERNAL USE, OR DISCLOSURE OF PART OR WHOLE TO A THIRD PARTY WITHOUT PRIOR WRITTEN AUTHORISATION IS IN VIOLATION OF THE COPYRIGHT. © BSS Audio Ltd 2001



DRAWING NUMBER ISSUE  
**S-B966AS-03A**



TITLE: POWER PARTS

SHEET 4 OF 4

FILENAME: S-B966AS-03A.SCH

DRAWN: BPV

DATE: 18-07-98

CHECKED:

MATERIAL:

FINISH:

ISSUE COMMENTS:

- P. FIRST PROTOTYPE RELEASE
- 1. PRODUCTION RELEASE
- 2. ECN0081 18-07-98 PRODUCTION MODS
- 3. ECN0107 10-12-98 PRODUCTION MODS
- 3A. ECN0510 20-07-01

DRAWING No WAS 966SA-03.

THIS DRAWING IS THE COPYRIGHT OF BSS Audio Ltd. ALL REPRODUCTION AND COPYING, OTHER THAN THAT FOR LICENCED MANUFACTURERS OWN INTERNAL USE, OR DISCLOSURE OF PART OR WHOLE TO A THIRD PARTY WITHOUT PRIOR WRITTEN AUTHORISATION IS IN VIOLATION OF THE COPYRIGHT. © BSS Audio Ltd 2001

